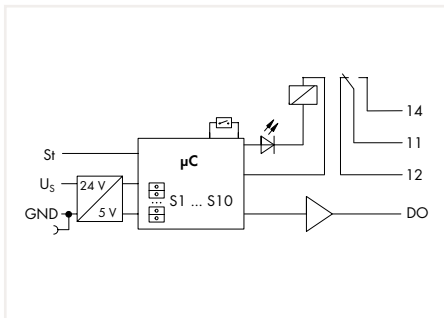


Timer Relay Module

857 Series

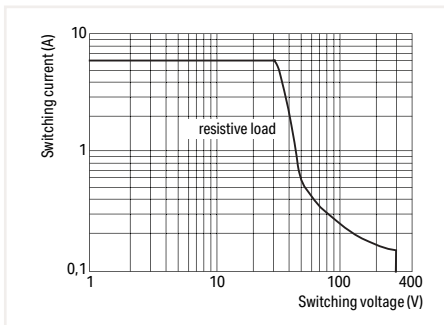


Timer Relay Module; 1 changeover contact; Limiting continuous current: 6 A; for railway applications; Multifunctional/multi-time; Status indicator: yellow; 6 mm wide

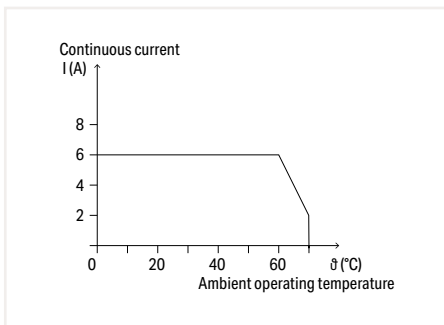
U_N	I_N	Item No.	Pack. Unit
24 VDC	18 mA	857-640	1

Features:

- 14 functions
- Function and time range adjustable via DIP switch



DC Load Limit Curve



Current-Carrying Capacity Curve

Control Circuit

Input voltage range	±30 %
Time range	Adjustable: 0.01 ... 0.1 s; 0.1 ... 1 s; 1 ... 10 s; 10 ... 100 s; 1 ... 10 min; 10 ... 100 min; 1 ... 10 h; 10 ... 100 h
Reset time	50 ms
Minimum pulse length (control input)	10 ms
Functions	On delay; On-delay, with control input; Off-delay, with control input; On- and off-delay, with control input; Single-shot leading edge; Single-shot leading edge, with control input; Off-delay, with control input; Single-shot leading and trailing edge, with control input; On-delay and single-shot leading edge; On-delay and single-shot leading edge, with control input; Step switching; Blinking, pulse start; Blinking, interval start; Relay switching

Load Circuit

Number of changeover/switchover contacts	1
Contact material	AgSnO ₂
Limiting continuous current	6 A
Inrush current (resistive) max.	20 A (AC) / 20 ms
Switching voltage (max.)	250 VAC
Switching power (resistive) max.	1500 VA (AC); DC see load limit curve
Switching capacity	AC 15: 3 A / 250 VAC; DC 13: 2 A / 24 VDC
Recommended minimum load	10 V / 10 mA; 24 V / 1 mA
Pull-in time (typ.)	15 ms
Drop-out time (typ.)	25 ms
Bounce time (typ.)	3.5 ms
Electrical life (NO; resistive load; 23 °C)	50 x 10 ³ switching operations
Mechanical life	5 x 10 ⁶ switching operations
Digital output (DO)	$U_N - 1$ V; 100 mA

Signaling

Status indicator	Yellow LED
------------------	------------

Safety and Protection

Rated voltage	250 VDC
Rated surge voltage	4 kV
Pollution degree	2
Dielectric strength, control/load circuit (AC, 1 min)	4 kV _{rms}
Dielectric strength, open contact (AC, 1 min)	1 kV _{rms}
Protection type	IP20

Connection Data

Connection technology	Push-in CAGE CLAMP®
Solid conductor	0.34 ... 2.5 mm ² / 22 ... 14 AWG
Fine-stranded conductor	0.34 ... 2.5 mm ² / 22 ... 14 AWG
Strip length	9 ... 10 mm / 0.35 ... 0.39 inch

Physical Data

Width	6 mm / 0.236 inch
Height from upper-edge of DIN-rail	97.8 mm / 3.85 inch
Depth	94 mm / 3.701 inch

Mechanical Data

Mounting type	DIN-35 rail
---------------	-------------

Material Data

Weight	33.2 g
--------	--------

Environmental Requirements

Surrounding air temperature (operation at U_N)	-25 ... +70 °C
Surrounding air temperature (storage)	-40 ... +70 °C
Processing temperature	-25 ... +50 °C

Standards and Specifications

Standards/specifications	EN 61812-1; EN 61373; EN 50121-3-2; UL 508
--------------------------	--